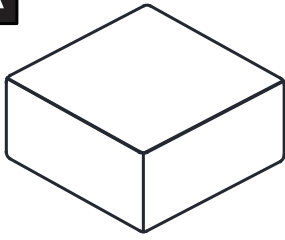


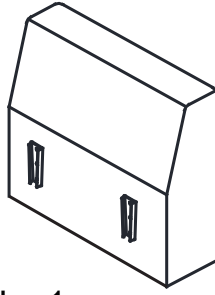
ASSEMBLY INSTRUCTION

A



Seat x1pc

B



Back x1pc

C



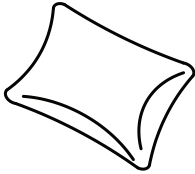
Leg x 6pcs

D



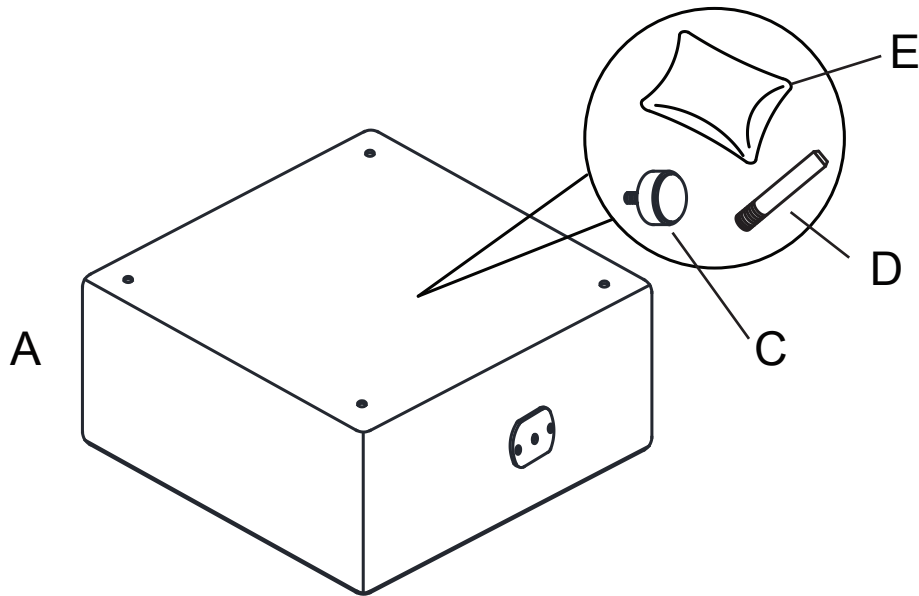
Bolt x 1pc

E

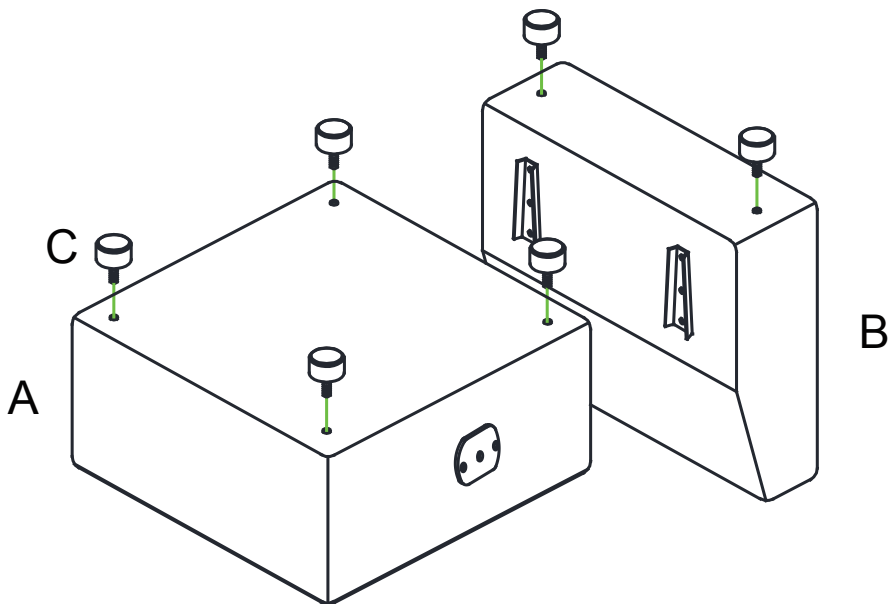


Pillow x1pc

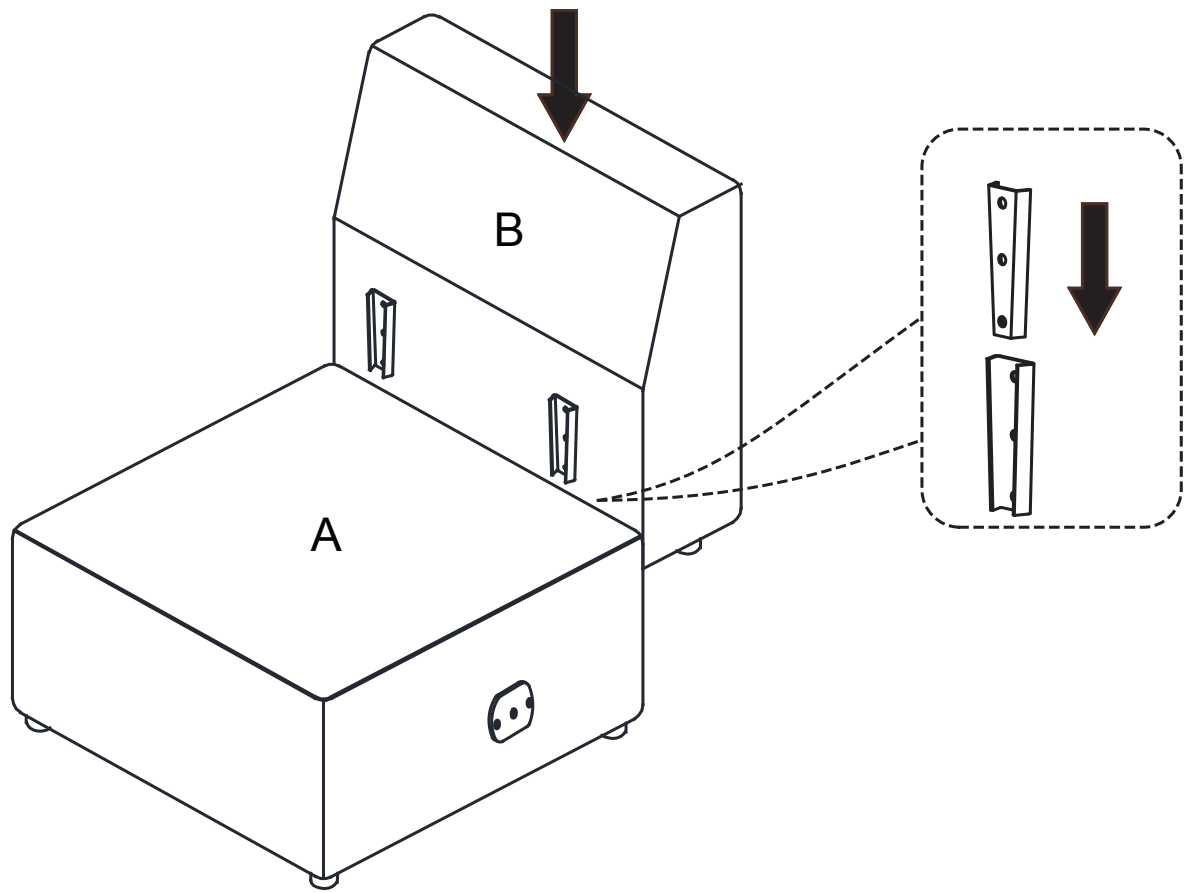
1



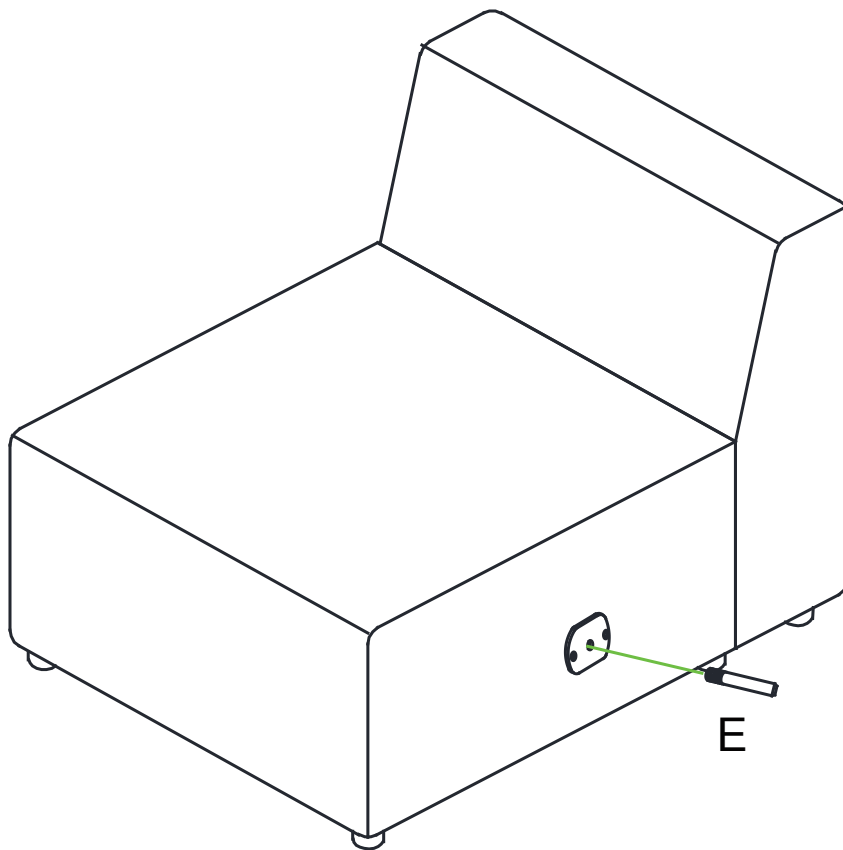
2

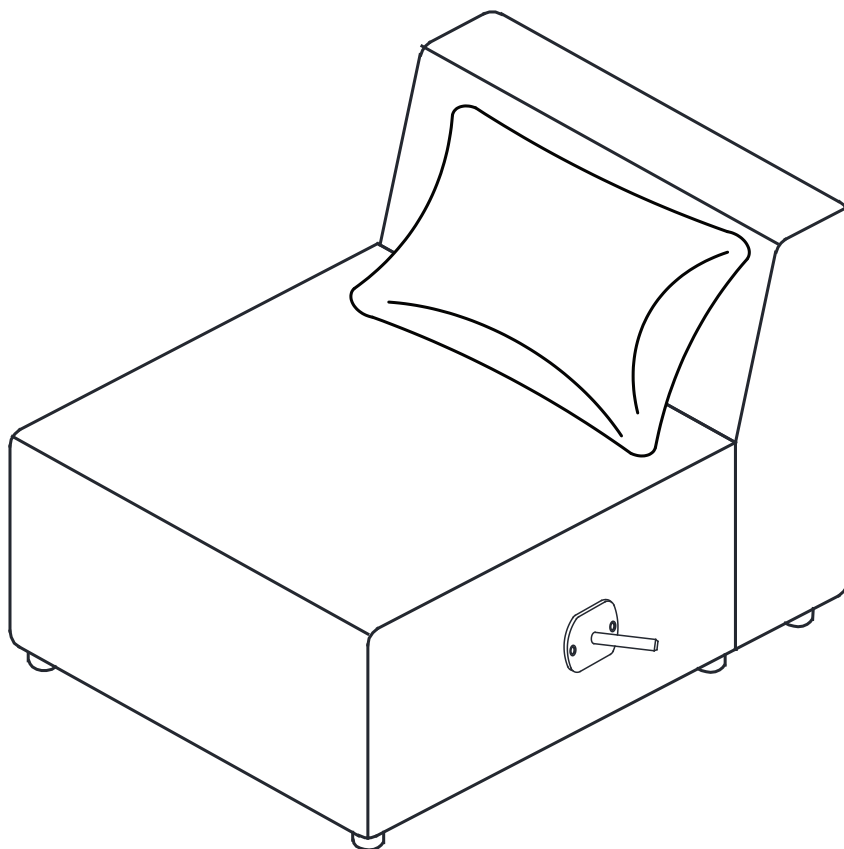


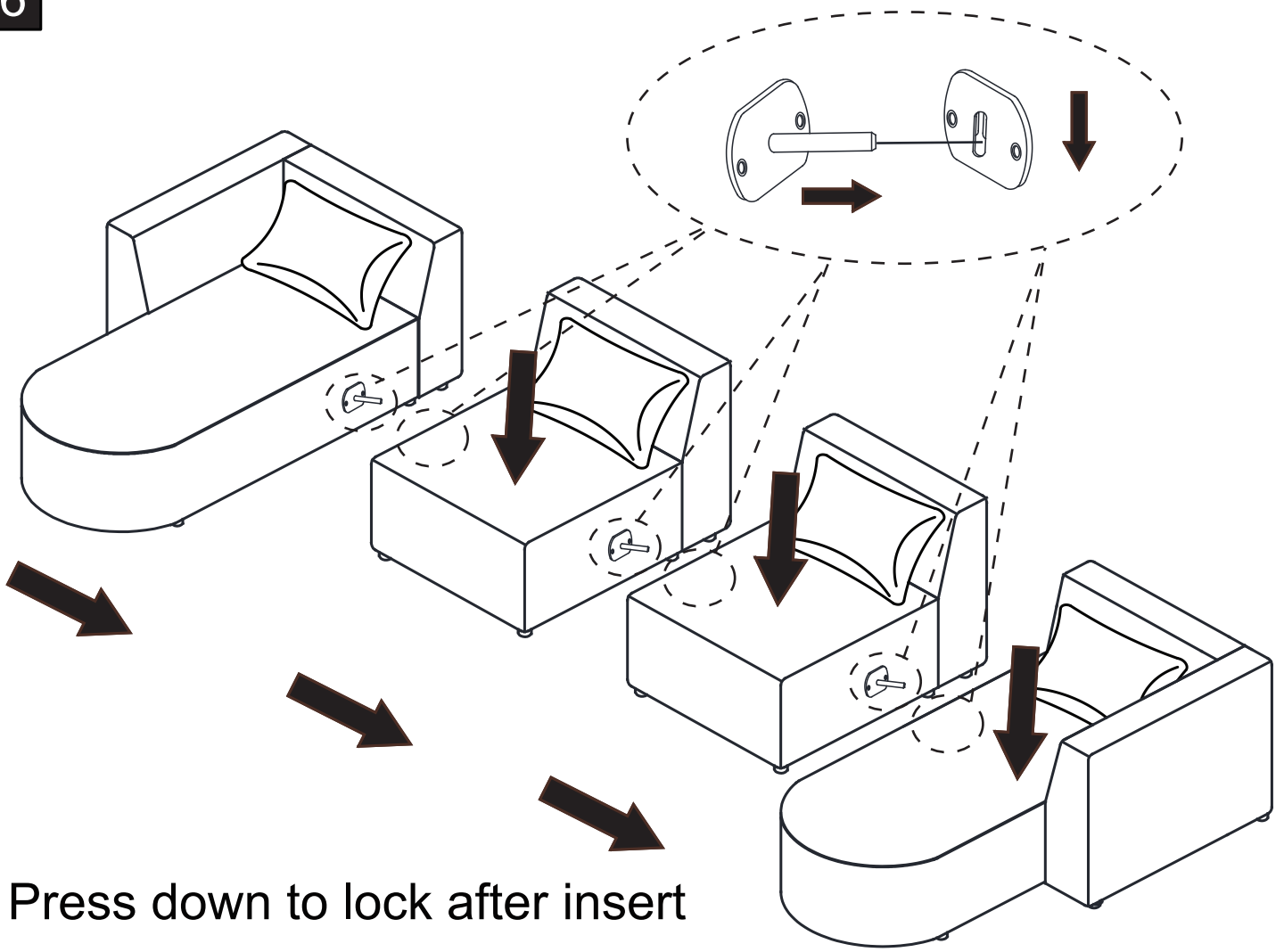
3



4







Press down to lock after insert

